

STRAIGHT SLIDING 290

HENDERSON

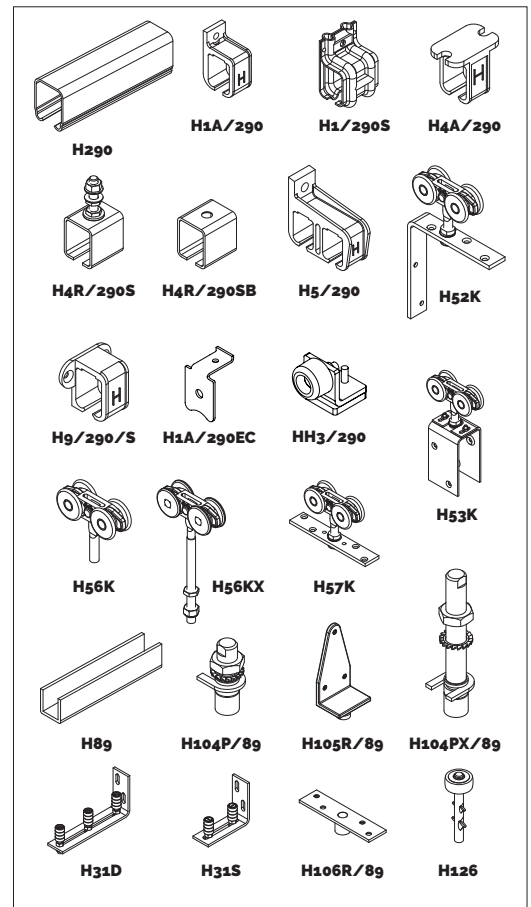
For timber or metal top hung sliding doors. Max 150 or 200kg

APPLICATION

- Designed for commercial and industrial applications
- Designed to accommodate single or multiple panels on one or more tracks
- Versatile range of hanger, track, bracket and guide options.
- allows the 290 system a wide range of applications
- Where doors are fitted externally, a canopy is recommended

HARDWARE SPECIFICATION

Track	H290	Galvanised Steel (2000, 3000, 4000 & 6000mm lengths)	
	Fix spacing at 900mm centres (maximum)		
Brackets	Aluminium	Steel (Zinc plated)	
	H1A/290	H1/290S	Face fix, single track
	H3A/290	-	Soffit fix, single track
	H4A/290	-	Soffit fix (in line), single track
	-	H4R/290S	Soffit fix (adjustable), single track
	H5/290	-	Face fix, double track
	-	H9/290/S	Face fix (low headroom), single track
Track Top	HH3/290	Track mounted door stop	
Bracket	Aluminium	Steel (Zinc plated)	
Endclip	H1A/290EC	H1/290EC	Creates a closed bracket
Track Stop	HH3/290	In Track Door Stop, Zinc plated Steel	
Hangers (2 per door)*	150kg	200kg	
	H52K/N	H52K/S200	Timberdoors - angle plate fixing
	H53K/N	H53K/S200	Timber doors - apron fixing
	H57K/N	H57K/S200	Timber doors - concealed fixing
	H56K/N	H56K/S200	Metal doors - angle frame
	H56KX/N	H56KX/S200	Metal doors - box frame
	H57K/N	H57K/S200	Metal doors - concealed plate
	- All hangers suffixed 'N' have silent running nylon wheels and 'S' have steel wheels.		
	- Nylon wheeled hangers should not be used on installations involving temperatures exceeding 80°C		
* Each panel must be rigid enough to be supported by only two hangers			
Guides	H31D	Wall guide, double	
	H31S	Wall guide, single	
	H104P/89	Metal doors - angle frame	
	H104PX/89	Metal doors - box frame	
	H105R/89	Timber doors	
	H106R/94	Timber doors - concealed fixing	
	H126	Ground stay roller	
Channels	H89	Galvanised steel (2000, 3000 & 4000mm lengths)	
	H94X	Aluminium (2000, 3000, 4000 & 6000mm lengths)	



DOOR SPECIFICATION

Track System	290
For Individual Doors:	
Max Door Weight	150kg or 200kg
Door Thickness	35-48mm*
Max Door Height	3000mm
*Max door thickness only applies to some face fix bracket and Hanger options.	



STRAIGHT SLIDING 290

**DRAWING IS
NOT TO SCALE**

